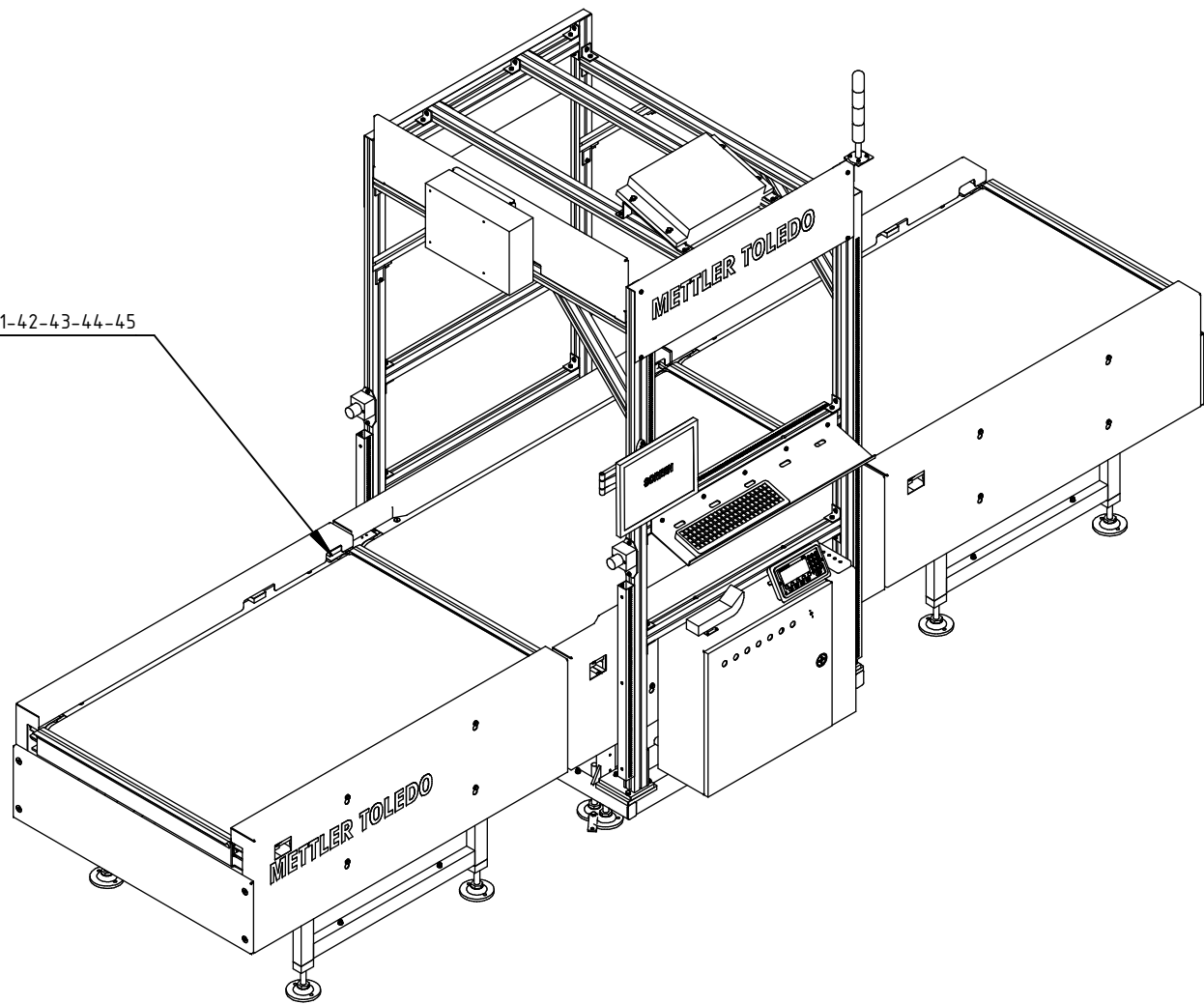


E9507Z0E

39-40-41-42-43-44-45



Technical requirements:

1. all the components have to be assabed finely and carefully. no scuffing on surface.
2. the conveyor should be horizontal.
3. all the cables should be arranged and tied up.
4. the screen bracket fixed on the Al-bracket where numberd with 3. the height of screen should be adjusted about 1600mm to ground for easy observe.
5. E-stops should be fixed on the Al-bracket where numbered with 1 and 2. the height should be adjust for easy operation.
6. The CSN950 should be fixed on the Al-bracket firmly. The distance between uper surface of belt and surface of laser releaseing should be 1400+-20mm. the CSN950 should be middle and vertical to the belt.
7. the scale should be calculated according to the calculation standard.
8. Volume metering should be proceed according to the volume calculation standard.
9. parts 35-36 shoud be delivered to customer with the whole system.
10. 37-38 should be printed accordingly before delivery.
11. According to the Q/MT00P723R07.

45			PE E3JK-5M2	1	常规	0.056 kg	0,06 kg	
44			PE holder	1	Steel, Carbon	0.054 kg	0,05 kg	
43			Screw GB/T 818 M5 x 8	4	Steel, Mild	0.003 kg	0,01 kg	
42	12108938		Hexagon bolt GB/T 5781 M8 x 16	4	Steel, Mild	0.012 kg	0,05 kg	
41			reflector	1	Generic	0.039 lbmass	0,02 kg	
40	30247375		reflector plate	1	Stainless Steel	0.063 kg	0,06 kg	
39	30281772		PE bracket ICS(W)	2		0.567 kg	1,13 kg	
38	30247380		METTLER TOLEDO Logo 80mm	2	Generic	0.000 kg	0,00 kg	
37			Screw GB/T 70.1 M6 x 20	8	Steel, Mild	0.007 kg	0,06 kg	
36	30306713		End protection plate	2	Generic	0.810 kg	1,62 kg	
35	102411		Hexagon bolt GB/T 5781 M8 x 40	4	Steel, Mild	0.022 kg	0,09 kg	
34			DX8200A+4-M8x35	1	常规	11.681 kg	11,68 kg	
33	30247385		bracket for DX8200A	2	Steel, Carbon	0.614 kg	1,23 kg	
32			Screw GB/T 818 M4 x 16	8	Steel, Mild	0.002 kg	0,02 kg	
31			Screen	1	ABS Plastic	4.574 kg	4,57 kg	
30	30225907		Screen arm	1		1.017 kg	1,02 kg	
29			plain washer GB/T 97.1 4	8	Steel, Mild	0.000 kg	0,00 kg	
28			Washer GB 93-87 4	8	Steel, Mild	0.000 kg	0,00 kg	
27			E-stop	2	Acetal Resin, White	0.258 lbmass	0,23 kg	
26	72191082		screw GB/T 70.1 M8 x 60	2	Steel, Mild	0.031 kg	0,06 kg	
25	102643		plain washer GB/T 97.1 3	6	Steel, Mild	0.000 kg	0,00 kg	
24	102660		washer GB 93-87 3	6	Steel, Mild	0.000 kg	0,00 kg	
23	102542		Screw GB/T 818 M3 x 10	6	Steel, Mild	0.001 kg	0,01 kg	
22	30225921		handhold BCR	1	CFRP	0.819 kg	0,82 kg	
21			screw GB/T 818 M5 x 16	4	Steel, Mild	0.004 kg	0,02 kg	
20			Alarm	1	ABS Plastic	0.411 kg	0,41 kg	
19			Key board	1	Generic	1.349 kg	1,35 kg	
18	102645		plain washer GB/T 97.1 5	12	Steel, Mild	0.000 kg	0,01 kg	
17	72189314		washer GB 93-87 5	12	Steel, Mild	0.000 kg	0,00 kg	
16	12108254		screw GB/T 70.1 M5 x 20	4	Steel, Mild	0.005 kg	0,02 kg	
15	30179870		CSN950	1	常规	12.582 kg	12,58 kg	
14			elasitc nut & washer & screw	11	常规	0.002 kg	0,02 kg	
13	30225905		Bracket for CSN950	1		3.187 kg	3,19 kg	
12	102647		plain washer GB/T 97.1 8	20	Steel, Mild	0.002 kg	0,04 kg	
11	102664		washer GB 93-87 8	22	Steel, Mild	0.001 kg	0,02 kg	
10	24110408		Hexagon bolt GB/T 5781 M8 x 35	12	Steel, Mild	0.020 kg	0,24 kg	
9	102646		plain washer GB/T 97.1 6	12	Steel, Mild	0.001 kg	0,01 kg	
8	102663		washer GB 93-87 6	12	Steel, Mild	0.000 kg	0,01 kg	
7	12131273		Hexagon bolt GB/T 5781 M6 x 35	4	Steel, Mild	0.010 kg	0,04 kg	
6	30281763		YL plate	2	Aluminum 6061	0.046 kg	0,09 kg	
5	30281762		T-type rubber trip	1	Rubber	0.488 kg	0,49 kg	
4	30281765		End finger protection	1	Aluminum 6061-AHC	3.180 kg	3,18 kg	
3	30293660		Al-bracket	1		151.754 kg	151,75 kg	
2	30293661		conveyor ICS(IO)	2		204.974 kg	409,95 kg	
1	30293599		Scale ICS	1		302.848 kg	302,85 kg	

ITEM	PART NUMBER	SAP Material BOM	Description	QTY	MATERIAL	UNIT	TOTAL	NOTE
					<b>METTLER TOLEDO</b>			
					Assembly			
					FS Num.			
版本/VER	更改号/ERECN.NO.	更改人/BY	日期/DATE	图样阶段/STAGE	SP	重量/WGT	比例/SCALE	
设计/DRN	彭永森	批准/APPD		S	A	N	909.06 kg	1:18
审核/CHECK	郭文卫	认证/AGEN						
工艺/MFG	钱颖	日期/DATE	2015.11.27	SHEET: 第 1 页 of 共 页				
					<b>TLX-31000BBEU</b>			
					<b>MTCN / MTCT / MTCZ</b>			
					30240563A			

证标记/Appro Mark

- Metrology
- Safety
- Ex